

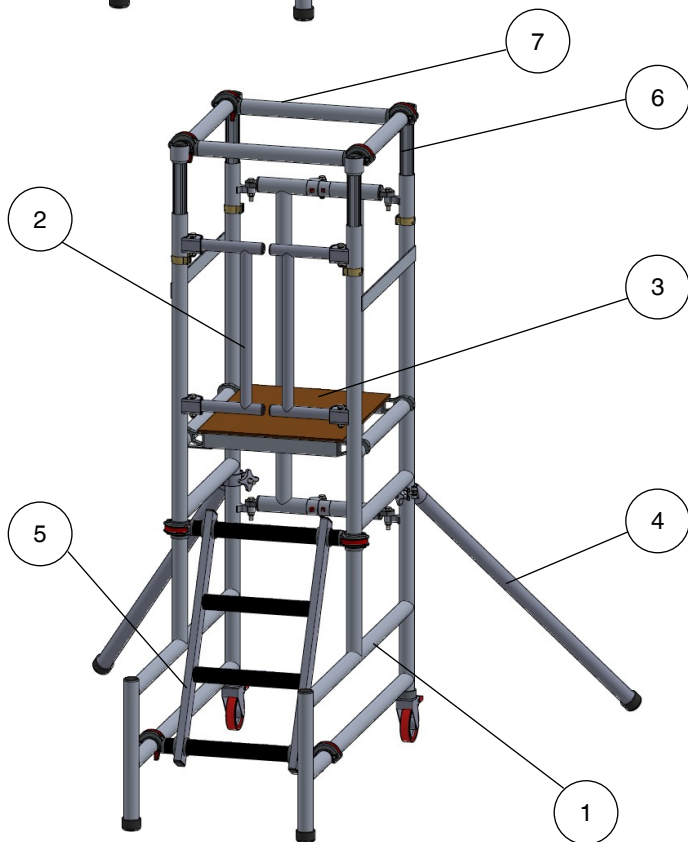
UTS SALES AND REPAIRS

A SAFER WAY TO REACH NEW HEIGHTS

AdjustaPod 1

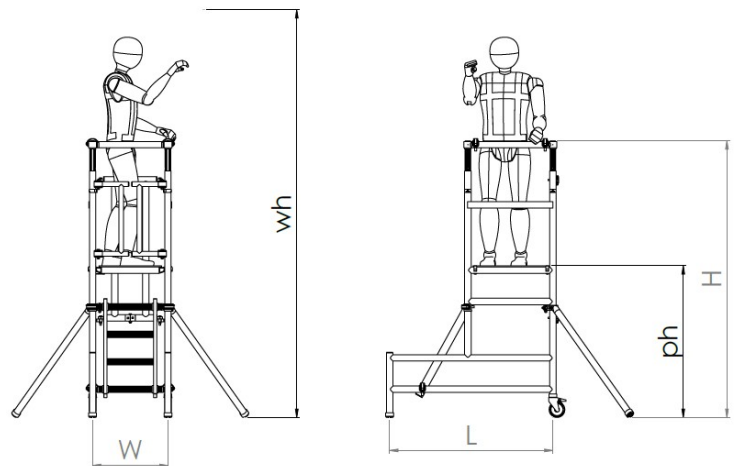
(H)2.21 X (L)1.37m X (W)0.65m

Working Height



Tower Components

Item	Description	Quantity
1	Podium Mainframe	1
2	Self Closing Gates	1
3	Podium Platform	1
4	1.25m-1.5m Pod Stabiliser	2
5	4 Rung Podium Ladder	1
6	Side Handrails	2
7	Brace Handrail	2
8	Instruction Manual	1



Technical information:

Max Open Dimensions:	(H)2.21 X (L)1.37m X (W)0.65m
Storage Dimensions:	(H)2.03 X (L)1.37m X (W)0.26m
Platform Dimensions:	0.6m X 0.53m
Platform Height (ph):	1.0m 1.25m
Working Height (wh):	3.0m 3.25m
Maximum Working Load:	150kg
Weight:	32.5kg

01227 860085

Mon-Fri, 8am until 5pm

For More Information:

info@towersandpodiums.co.uk

We reply within 1 hour

